

RENICE

X5G liveSSD

Product Datasheet



V1.0

2024-5-30

CATALOGUE

1 PRODUCT	1
1.1 Product Overview.....	1
1.2 Functional Block Diagram.....	1
2 PERFORMANCE	1
3 SPECIFICATION	2
3.1 Electrical Specification.....	2
3.2 Mechanical Specification.....	2
3.3 Interface and Data Transmit.....	2
3.4 IPHONE 15 PRO Phone Video Recording Time.....	3
4 Ordering Information	3
5 Accessory Information	3
Appendix A: Physical Dimension Diagram	4

1 Product

1.1 Product Overview

RENICE has recently launched a mobile external recording hard drive (liveSSD) designed specifically for recording videos on smartphones. It features USB 3.2 high-speed transmission, allowing for simultaneous charging and recording to the hard drive (e.g., iPhone 15 Pro) and supports various fast charging protocols such as PD 3.0 and QC 2.0.

It contains two USB type-C, one is connected to external USB devices (eg.mobile,computer,etc)which can achieve high- speed data communication on read and write and charge/discharge.Another Type-C is connected to external charging devices (eg.portable charger, wall charger etc.)which can achieve the operations of mobile charging and loading the data to SSD at the same time.liveSSD comes with an adjustable back clip for securing smartphones, facilitating prolonged recording sessions for users.

1.2 Functional Block Diagram

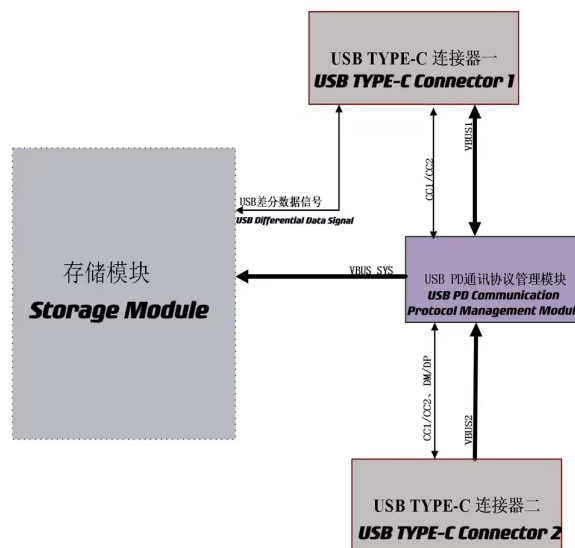


Figure1 : RENICE X5G liveSSD Functional Block Diagram

2 Performance

- 2 x USB Type C: one is for data interface and another is a back up power supply which for charging the device while recording)
- Excellent Performance: It adopt the USB 3.2 Gen 2X2 20Gbps type-C,max sequential read/write:2000MB/s/1800MB/s, average write speed in full disk is 1.1GB/s

- Capacity: 1TB, 2TB
- Designed for mobile recording videos (specially for iPhone 15 Pro & Pro max): ultra-thin form factor, secured to the phone via back clip, low power consumption design to meet users' actual mobile recording needs.

3 Specification

3.1 Electrical Specification

Specification Name	Specification Description	Note
Average power consumption (read/write at full speed)	1.2W/3.1W@1TB	
Average power consumption (mobile phone playback/recording)	0.9W/1.0W@1TB	iPhone15Pro,4K/60fps
Stand by power consumption	0.8W	
Over voltage and over current protection	Support	

3.2 Mechanical Specification

Specification	Description	Note
Size	LxWxH:70mm x 35mm x 8mm	
Sheathing Material	Aluminium Alloy	
Connector	Standard USB Type-C, Female Connector	
Weight	About 40g	
Back Clip Locking Range	68mm~82mm	

3.3 Interface and Data Transmit

Specification	Description	Note
USB3.2Gen2X2	20Gbps	
Sequential Data Read	Up to 2086 MB/s	@1TB
Sequential Data Write	Up to 1849 MB/s	@1TB
Random Data Read (4K)	Up to 38.8 MB/s	@1TB
Random Data Write (4K)	Up to 126.9 MB/s	@1TB

3.4 IPHONE 15 PRO Phone Video Recording Time

Recordable Time	1TB	2TB
ProResHDR/SDR/LOG4K/60fps	72 Mins	144 Mins
ProResHDR/SDR/LOG4K/30fps	144 Mins	289 Mins
ProResHDR/SDR/LOG4K/24fps	179 Mins	359 Mins
ProResHDR/SDR/LOG1080PHD/60fps	288 Mins	578 Mins
ProResHDR/SDR/LOG1080PHD/30fps	577 Mins	1156 Mins

Note : iPhone 15 Pro Phone Video (ProRes HDR/SDR/LOG 4K/60 fps) consumes 90% of the power while recording a full 1TB disk

4 Ordering Information

Capacities	Part Number
1TB	SCT001T-U32X5GA
2TB	SCT002T-U32X5GA

5 Accessory Information

Accessories	Quantity
FPC flexible flat data cable, USB TYPE-C double male connectors, 40 Gbps, 13.8 cm	1 pc
Adapter Type-C female to USB male, Aluminum alloy, 10Gbps	1 pc

Appendix A: Physical Dimension Diagram

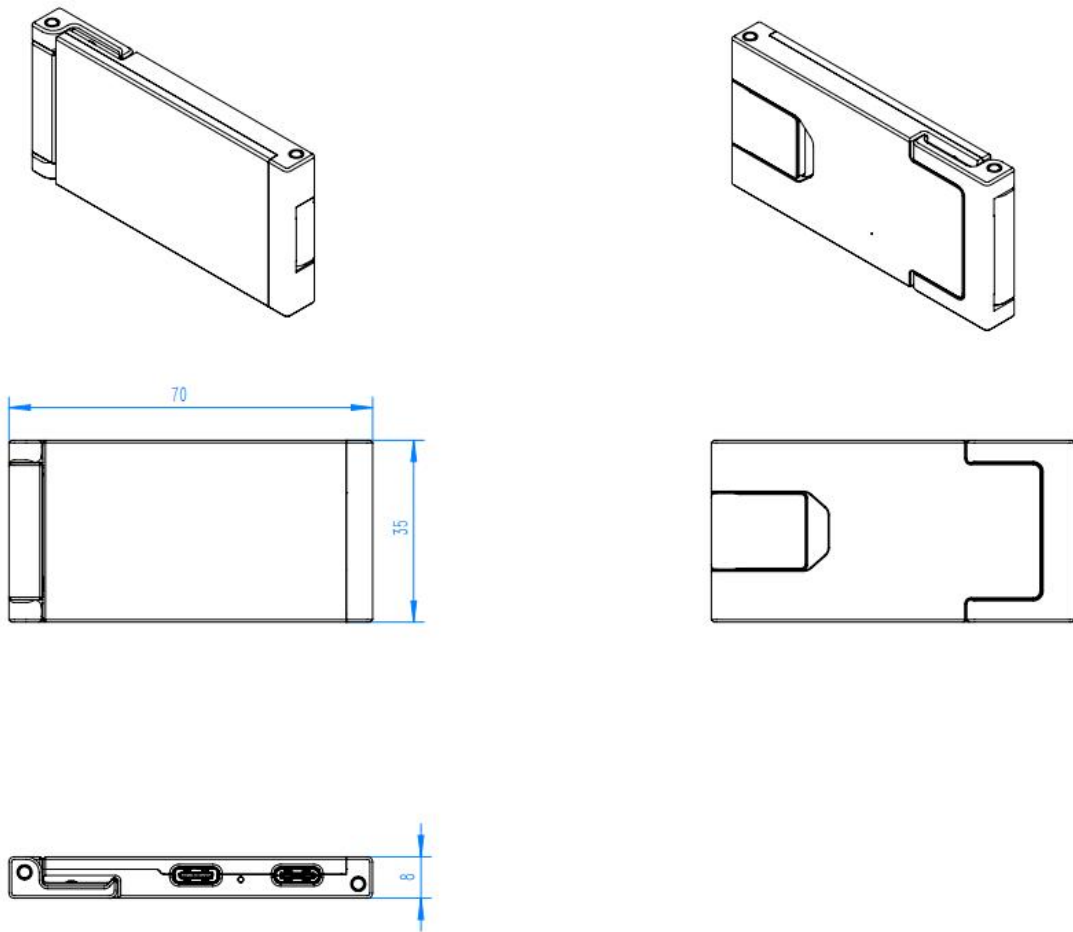


Figure A: Physical Dimension Diagram for X5G liveSSD